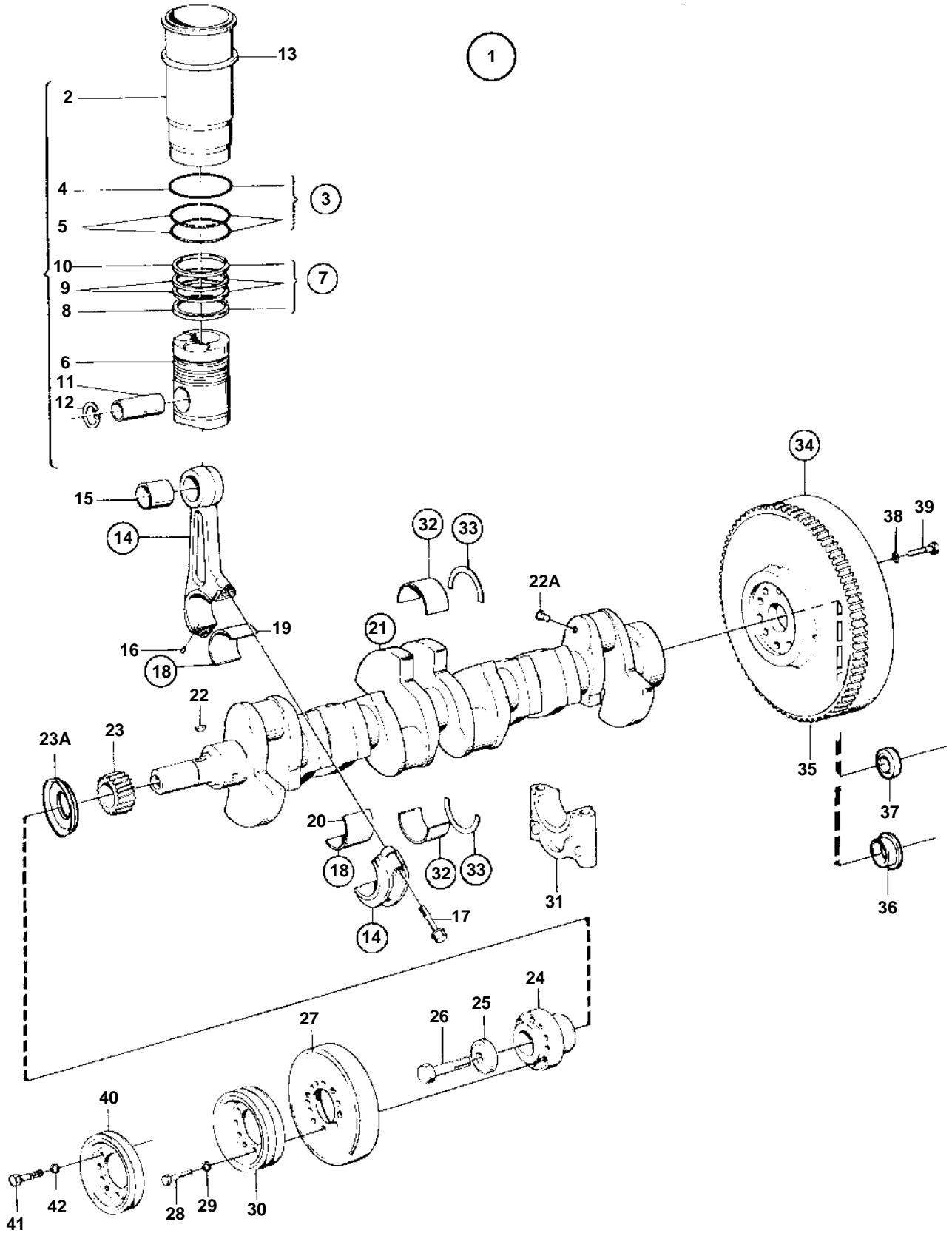


TD100G-87



TD100G-87

REF	PART NO.	QTY	DESCRIPTION	SEE SEC.	NOTES
1	275627	6	Cylinder liner kit		
2		6	· Cylinder liner		
3	271157	6	· Sealing ring kit		
4		6	· · Sealing ring		
5		6	· · Sealing ring		
		6	· · Sealing ring		
6		6	· Piston		
7	275084	6	· Piston ring kit		
8		6	· · Oil scraper ring		
9		6	· · Compression ring		
10		6	· · Compression ring		
11	422344	6	· Piston pin		STD D
		6	· Piston pin		O.S=0,05mm
		6	· Piston pin		O.S=0,20mm
12	417466	12	· Lock ring		
13	422619	X	Shim		TH=0,20mm
	422620	X	Shim		TH = 0,30mm
	422621	X	Shim		TH = 0,50mm
14	846731	6	Connecting rod		
15	1545302	6	· Bushing		
16		12	· Pin		
17	1545479	12	· Screw		
18	270124	6	Big end bearing kit		STD D
	270125	6	Big end bearing kit		U.S=0,25mm
	270126	6	Big end bearing kit		U.S=0,50mm
		6	Big end bearing kit		U.S=0,75mm
	270128	6	Big end bearing kit		U.S=1,00mm
	270129	6	Big end bearing kit		U.S=1,25mm
19		6	· Bearing shellupper		
20		6	· Bearing shelllower		
21	848767	1	Crankshaft, 10 hole for flywheel		CLASSIFIED
	3825697	1	Crankshaft, 14 hole for flywheel		CLASSIFIED
					REPL BY 3826009
	3826009	1	Crankshaft		CLASSIFIED
			14 hole for flywheel		
22	422253	1	· Woodruff key		
22A	978130	6	· Plug		
23	423080	1	Crankshaft gear		
			Bulletin 45-01	45-01-EN	Timing Gears, 71, 100, 121
23A	423177	1	Oil deflector		EARLY TYPE
24	470595	1	Hub		
25	422124	1	Washer		
26	941494	1	Screw		
27	866135	1	Pulley		(846645)
28	955550	12	Screw		
29	941909	12	Spring washer		
30	843600	1	Pulley		3 GROOVES
31		7	Main bearing cap		
32	270438	7	Main bearing kit		STD D
	270439	7	Main bearing kit		U.S=0,25mm
	270440	7	Main bearing kit		U.S=0,50mm
	270441	7	Main bearing kit		U.S=0,75mm
	270442	7	Main bearing kit		U.S=1,00mm
	270443	7	Main bearing kit		U.S=1,25mm
33	276758	1	Thrust washer kit		STD D
	276759	1	Thrust washer kit		O.S=0,10mm
	276760	1	Thrust washer kit		O.S=0,20mm
	276761	1	Thrust washer kit		0,30mm OVER SIZE
34	864402	1	Flywheel, 10 hole		STD
			Bulletin 46-07	46-07-EN	Crankshaft/Flywheel
34	864997	1	Flywheel, 14 hole		STD
		1	Flywheel, 10 hole		ALLISON-DRY
	842144	1	Flywheel, 10 hole		ALLISON-WET

TD100G-87

REF	PART NO.	QTY	DESCRIPTION	SEE SEC.	NOTES
34		1	Flywheel, 10 hole		TWIN DISC 6 F-1509-1
	3825926	1	Flywheel, 14 hole		TWIN DISC 6 F-1509-1
	849328	1	Flywheel, 10 hole		CLARK 34000, C5000, C8000
	866776	1	Flywheel, 14 hole	SO	CLARK 34000, C5000, C8000
	3825104	1	Flywheel, 14 hole		CLARK36000, SN2100279498-
	864555	1	Flywheel, 10 hole	SO	ZFWG180, 200HN500
	3825924	1	Flywheel, 14 hole		ZFWG180, 200HN500
		1	Flywheel, 10 hole		FORKLIFT-VP
	422742	1	Flywheel, 10 hole		FORKLIFT-LV
	425740	1	Flywheel, 14 hole		FORKLIFT-LV
35	420794	1	· Gear ring		
36	821223	1	Bushing		FOR 814735
	849326	1	Bushing		FOR 849328
	864557	1	Bushing		FOR 864555
37	1652989	1	Ball bearing		FOR 422742
38	467773	10	Washer, 10 hole for flywheel		
	467773	14	Washer, 14 hole for flywheel		
39	478717	10	Screw, 10 hole for flywheel		
	478717	14	Screw, 14 hole for flywheel		
	941570	14	Screw, 14 hole for flywheel		FOR 3825104
40	844615	1	Pulley		ALT 1 GROOVE
	844591	1	Pulley		ALT 2 GROOVES
	845845	1	Pulley		ALT 6 GROOVES
41	955552	12	Screw		FOR 844615,844591
	955551	12	Screw		FOR 845845
42	941909	12	Spring washer		